

Relay Sockets

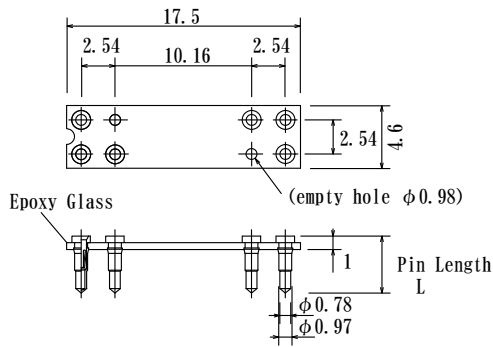
SUX Series

How to order
SUX-4-1.6□-NB-C

See Table

N : No Silicon Seal (Standard)
(blank) : Silicon Sealed

- No Socket pin
- Socket pin inserted



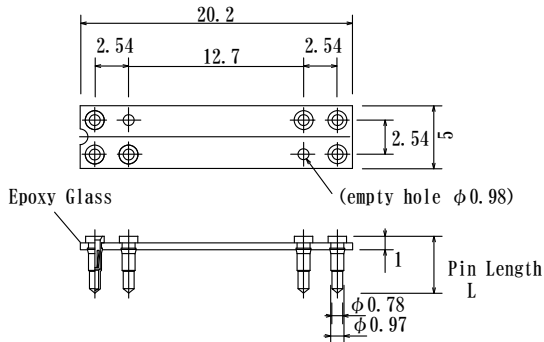
Pin Layout	Parts Number	Pin qty	Pin Length
○ ○ ○ ○	SUX-4-1.6-NB-C	4	4.3
	SUX-4-3.2-NB-C		5.0
○ ○ ● ●	SUX-5-1.6-NB-C	5	4.3
	SUX-5-3.2-NB-C		5.0
○ ● ○ ●	SUX-6A-1.6-NB-C	6	4.3
	SUX-6A-3.2-NB-C		5.0
	SUX-6B-1.6-NB-C		4.3
○ ● ○ ●	SUX-6B-3.2-NB-C	6	5.0
	SUX-7-1.6-NB-C		4.3
○ ● ○ ●	SUX-7-3.2-NB-C	7	5.0
	SUX-8-1.6-NB-C		4.3
○ ● ○ ●	SUX-8-3.2-NB-C	8	5.0
	SUX-6C-1.6-NB-C		4.3
○ ● ○ ●	SUX-6C-3.2-NB-C	6	5.0

SSX Series

How to order
SSL-007-8□-C

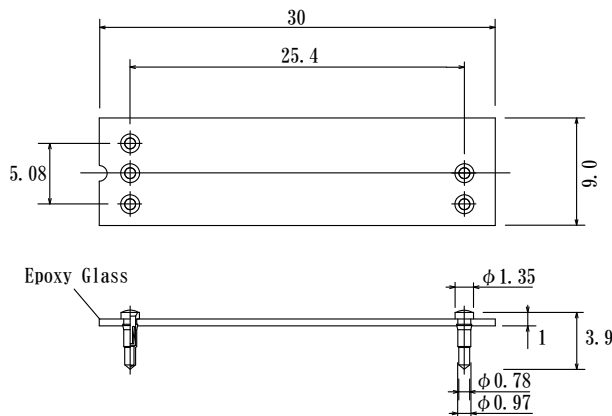
See Table

N : No Silicon Seal (Standard)
(blank) : Silicon Sealed



Pin Layout	Parts Number	Pin qty	Pin Length
○ ○ ○ ○	SSU-001-4-C	4	3.2
	SSE-001-4-C		4.3
	SSL-001-4-C		5.0
○ ○ ● ●	SSU-002-5-C	5	3.2
	SSE-002-5-C		4.3
	SSL-002-5-C		5.0
○ ● ○ ●	SSU-003-6-C	6	3.2
	SSE-003-6-C		4.3
	SSL-003-6-C		5.0
	SSU-004-6-C		3.2
	SSE-004-6-C		4.3
	SSL-004-6-C		5.0
○ ● ○ ●	SSU-005-6-C	6	3.2
	SSE-005-6-C		4.3
	SSL-005-6-C		5.0
○ ○ ○ ○	SSU-006-7-C	7	3.2
	SSE-006-7-C		4.3
	SSL-006-7-C		5.0
○ ● ○ ●	SSU-007-8-C	8	3.2
	SSE-007-8-C		4.3
	SSL-007-8-C		5.0
○ ● ○ ●	SSU-008-7-C	7	3.2
	SSE-008-7-C		4.3
	SSL-008-7-C		5.0
○ ○ ○ ○	SSU-009-6-C	6	3.2
	SSE-009-6-C		4.3
	SSL-009-6-C		5.0
○ ● ○ ●	SSU-010-6-C	6	3.2
	SSE-010-6-C		4.3
	SSL-010-6-C		5.0
○ ● ○ ●	SSU-011-6-C	6	3.2
	SSE-011-6-C		4.3
	SSL-011-6-C		5.0

4SX-NSVS0020-GG-5



(Silicon Sealed)

Relay Sockets

2SX Series

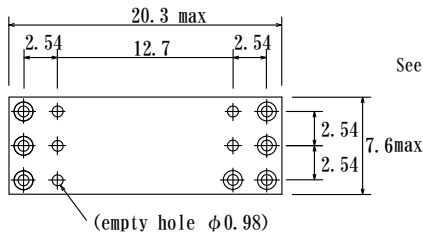
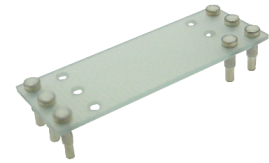
How to order

2SE-01-7□

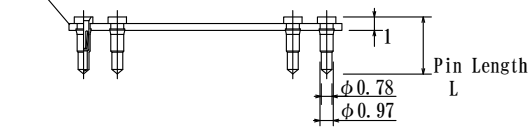
See Table

N: No Silicon Seal (Standard)

(blank) : Silicon Sealed



Epoxy Glass

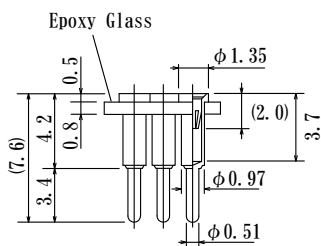
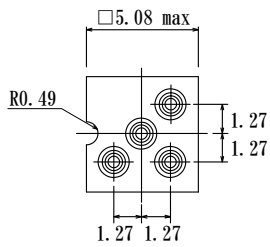


○ No Socket pin

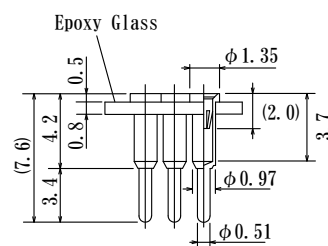
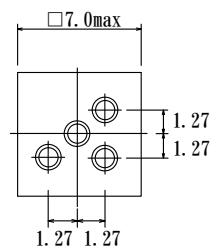
● Socket pin inserted

Pin Layout	Parts Number	Pin qty	Pin Length
	2SU-01-7	7	3.2
	2SE-01-7		4.3
	2SL-01-7		5.0
	2SU-02-8	8	3.2
	2SE-02-8		4.3
	2SL-02-8		5.0
	2SU-03-8	8	3.2
	2SE-03-8		4.3
	2SL-03-8		5.0
	2SU-04-10	10	3.2
	2SE-04-10		4.3
	2SL-04-10		5.0

G04-N0010-GG-H/5



G04-N0010-GG-H



3SX Series

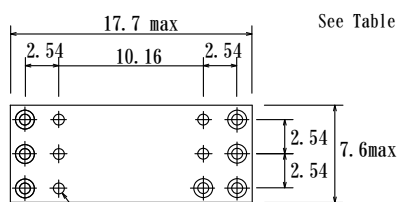
How to order

3SL-01-7□

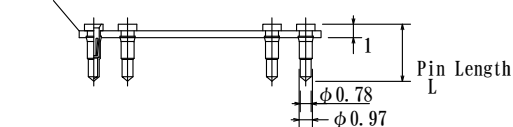
See Table

N: No Silicon Seal (Standard)

(blank) : Silicon Sealed



Epoxy Glass



○ No Socket pin

● Socket pin inserted

Pin Layout	Parts Number	Pin qty	Pin Length
	3SU-01-7	7	3.2
	3SE-01-7		4.3
	3SL-01-7		5.0
	3SU-02-8	8	3.2
	3SE-02-8		4.3
	3SL-02-8		5.0

Relay Sockets

SCTX Series

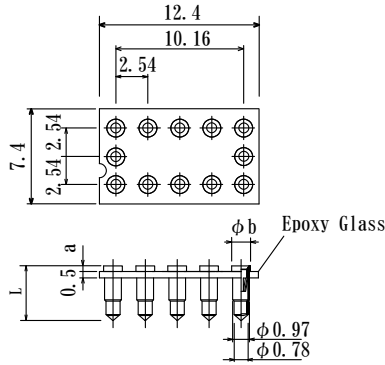
How to order

SCTX□-01-12-□

N: No Silicon Seal (Standard)

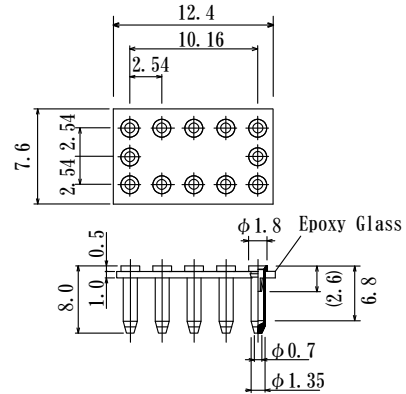
See Table

(blank) : Silicon Sealed



Parts Number	Socket Pin	L	a	ϕb
SCTXU-01-12-□	NSF0010-GG	3.15	0.4	1.35
SCTXE-01-12-□	NSV0020-GG	4.3	0.5	1.35
SCTXL-01-12-□	NS55-GG	5.4	0.5	1.35

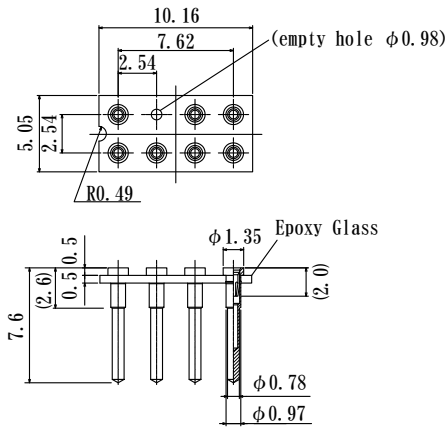
SG-D12-JSC0021-GG-T010



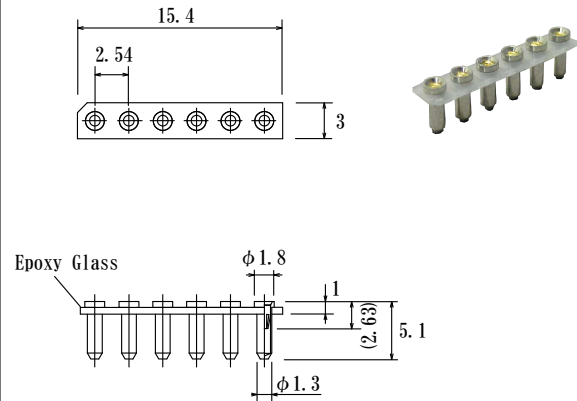
SWX-006-7□-C-NSV0040-GG

N: No Silicon Seal (Standard)

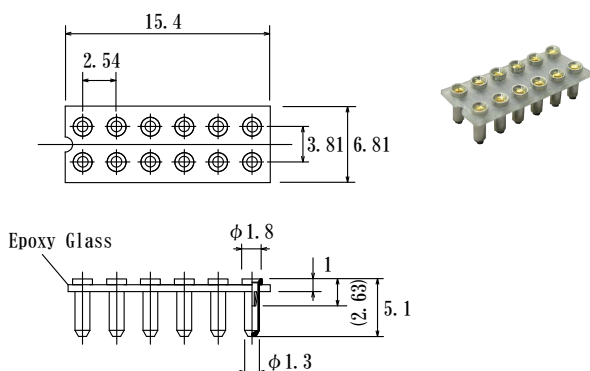
(blank) : Silicon Sealed



SG-S06-J051-GG-T005

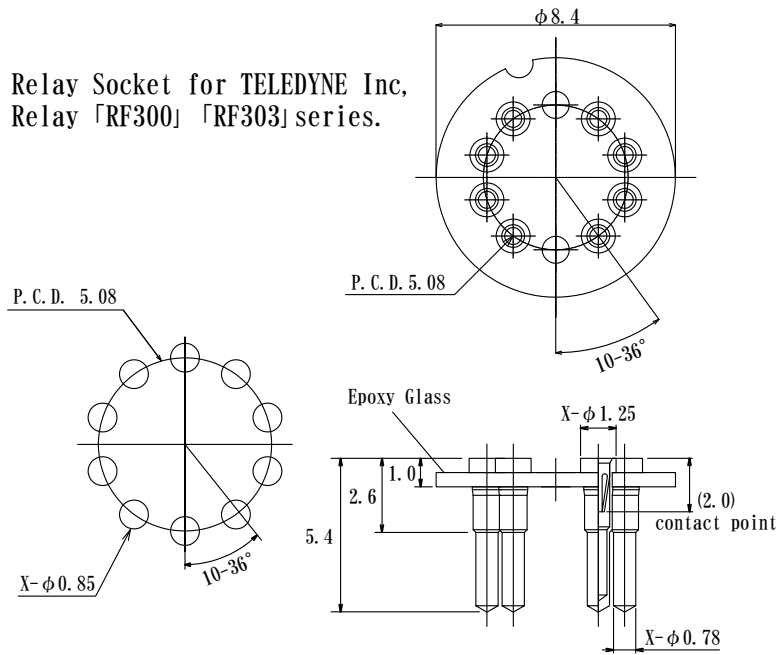


SG-D12-J051-GG-T005



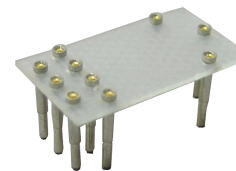
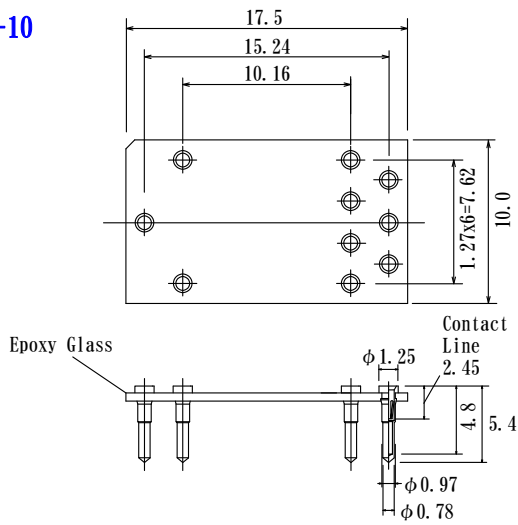
Relay Sockets

Relay Socket for TELEDYNE Inc,
Relay 「RF300」 「RF303」 series.



Parts Number	Number of Pins	Pin Position
C08-NS55-GG-F840	8	
C10-NS55-GG-F840	10	

SSP-1305-10



SSP-1405-12

