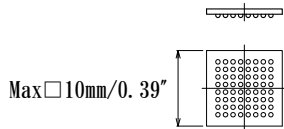


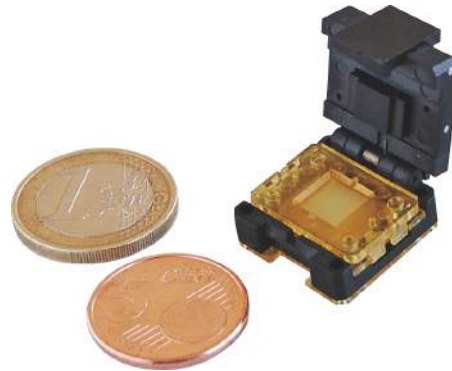
Test & Burn-In Socket, GU20S molded frame series
Size 20x20mm / 0.79x0.79"

Acceptable device size



In the case of larger size, consult factory.

Any device on 0.30mm pitch or larger



How to order

GU20S- $\square\square\square\square\square\square\square\square$

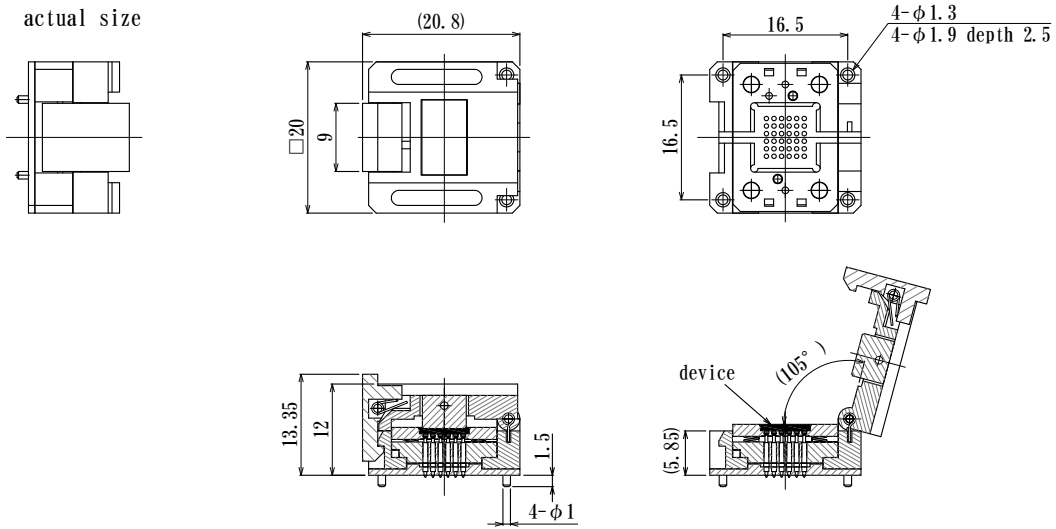
P/N will be informed after fixing specifications.

Features:

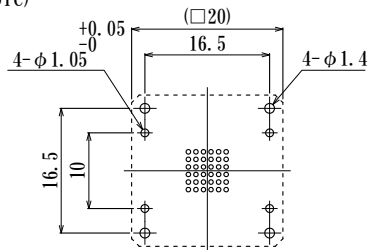
- High reliability
- Cost competitive
- Short delivery time
- Temperature
-40°C to +150°C
(typical)

example)

actual size



example)



PCB Pattern (Top View)

mm