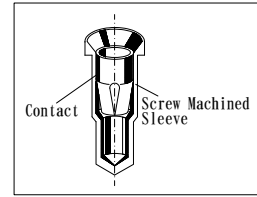


## Socket Pins, High Temperature

High Temperature 250°C

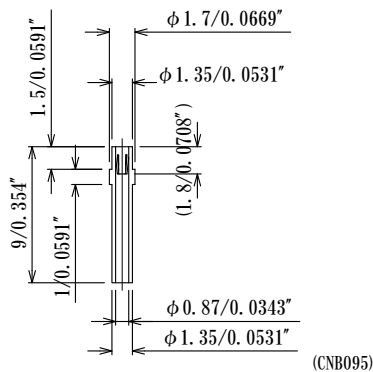
Material  
Sleeve : Brass Gold over Ni plating  
Contact : Nickel Beryllium copper  
Heat treated  
Gold over Ni plating  
Operating temperature : -55°C ~ +250°C



It is recommended to pre-confirm Mating/Unmating force you expect.

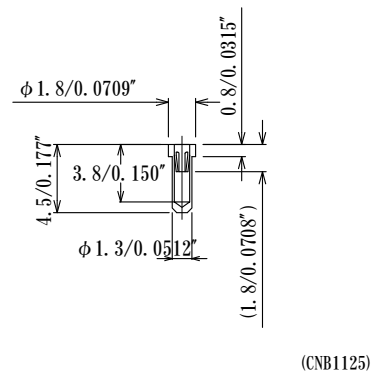
Acceptable Plug dia. :  $\phi 0.25 \sim \phi 0.39\text{mm}$   
 $\phi 0.0098'' \pm \phi 0.0154''$

### NB095-F185-CBL-L90



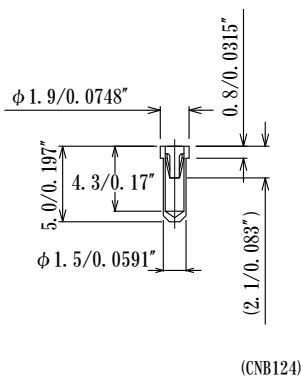
Acceptable Plug dia. :  $\phi 0.33\text{mm} \sim \phi 0.53\text{mm}$   
 $\phi 0.013'' \sim \phi 0.0209''$

### NB1125-F180-L45



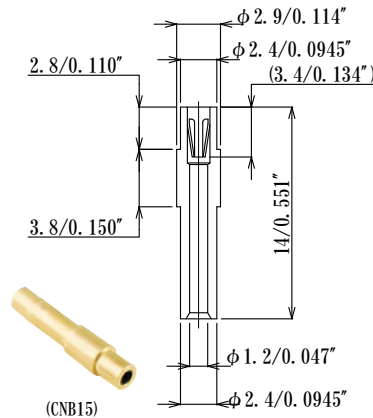
Acceptable Plug dia.  
:  $\phi 0.40\text{mm} \sim \phi 0.60\text{mm}$   
:  $\phi 0.0157'' \sim \phi 0.0236''$

### NB124-F190-L50



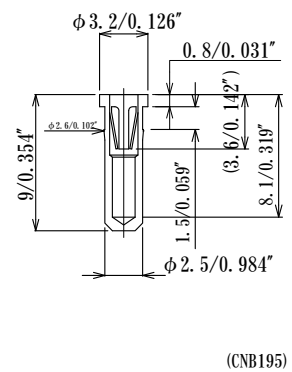
Acceptable Plug dia.  
:  $\phi 0.85\text{mm} \sim \phi 1.1\text{mm}$   
:  $\phi 0.033'' \sim \phi 0.043''$

### NB15-F29-CBL-L140



Acceptable Plug dia.  
:  $\phi 0.82\text{mm} \sim \phi 1.2\text{mm}$   
:  $\phi 0.032'' \sim \phi 0.047''$

### NB195-F32-L90



Contact Part Number	Length L	D	Remarks
(J-H200Tcontact)	2.5	1.15	Four fingers Medium Force High Temp. 200°Cmax
CNB095contact	1.8	0.95	Three fingers Medium Force
CNB1125contact	1.8	1.125	Four fingers Medium Force
CNB124contact	2.1	1.24	Three fingers Medium Force
CNB15contact	3.3	1.5	Four fingers Medium Force
CNB195contact	3.6	1.95	Four fingers Medium Force
CNB200contact	3.25	2.0	Six fingers Medium Force

(mm)

