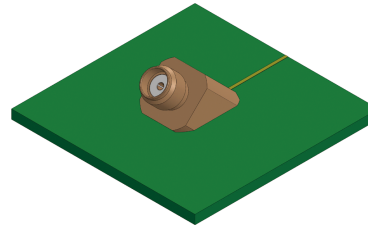


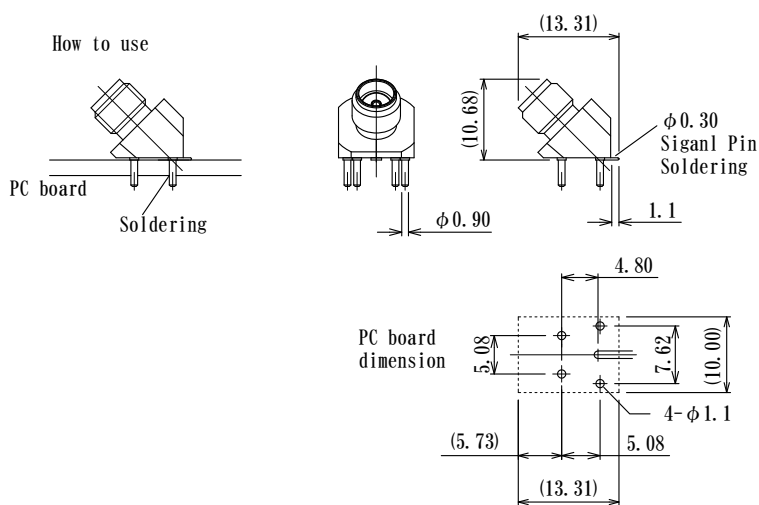
## SMA Connectors, Slant type

### Features

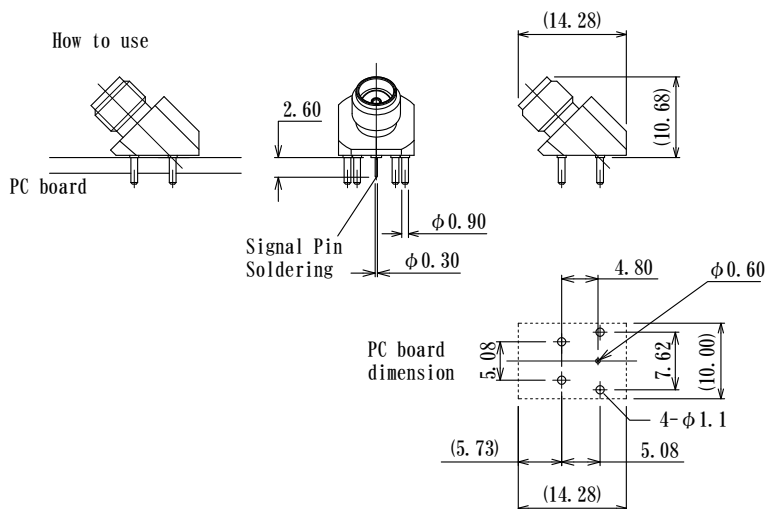
- Lower RF reflection.
- Flexible about a mount position on PC board
- Frequency : DC~5GHz



### SMA-R-SLANT-SS



### SMA-R-SLANT-SV



\* mark product is made only upon order.