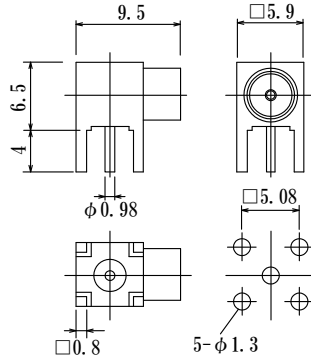


MCX 50Ω Connectors

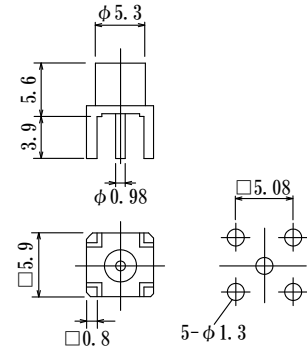
MCX 50Ω Jacks

MCXJ-L-PCBG



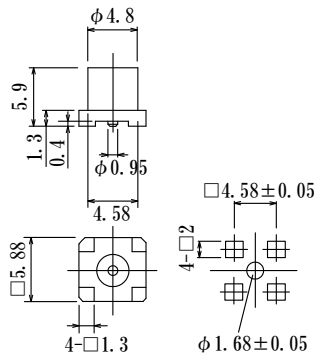
●Au

MCXJ-PCBG



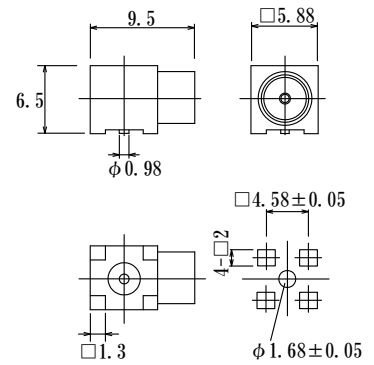
●Au

MCXJ-V-SMT *



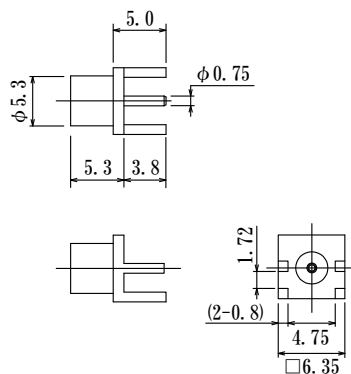
●Au

MCXJ-L-SMT

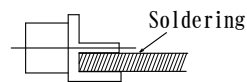


●Au

MCXJ-EL-T16



How to use



PC Bpard t=1.6

●Au

* mark product is made only upon order.

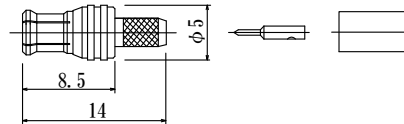
MCX 75Ω Connectors

MCX 75Ω Jacks

MCX75P-RG187G
MCX75P-RA7524A

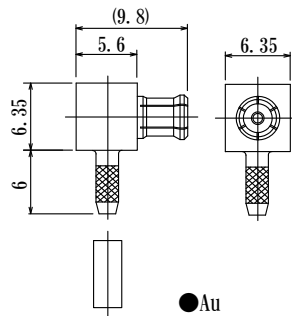


Part No.	Applicable Cable
MCX75P-RG187G	RG187A/U, RG179A/U
MCX75P-RA7524A	Raychem 7524A1311



●Au

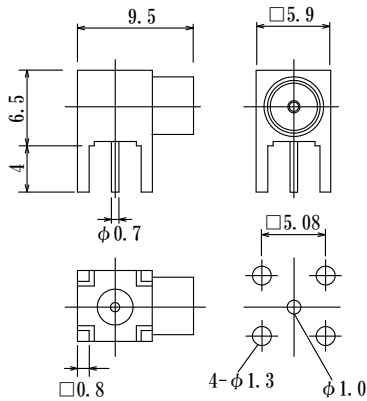
MCX75P-L-RG187G
MCX75P-L-RA7524A



Part No.	Applicable Cable
MCX75P-L-RG187G	RG187A/U, RG179A/U
MCX75P-L-RA7524A	Raychem 7524A1311

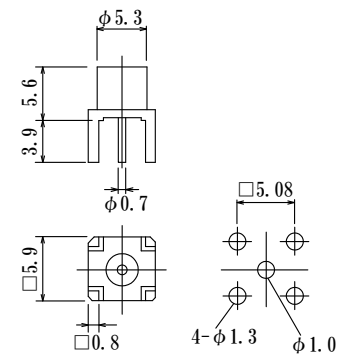
●Au

MCX75J-L-PCBG



●Au

MCX75J-PCBG *



●Au

* mark product is made only upon order.