

8YTJ Series Spring Probes

Since the 8YTJ spring probe connector consists of several spring probe pins in a molded insulating housing, it is easy to handle.
We accept custom-made design and manufacture.

Specification

Dielectric withstanding voltage : AC700V rms 1 minute
Insulation Resistance : 1000M Ω min
Contact Resistance (initial) : 50m Ω max at 500VDC
Current Rating : 1A max
Temperature Range : -40 $^{\circ}$ C ~ +125 $^{\circ}$ C

Material

Insulator : High temp. thermoplastic
UL94V-0

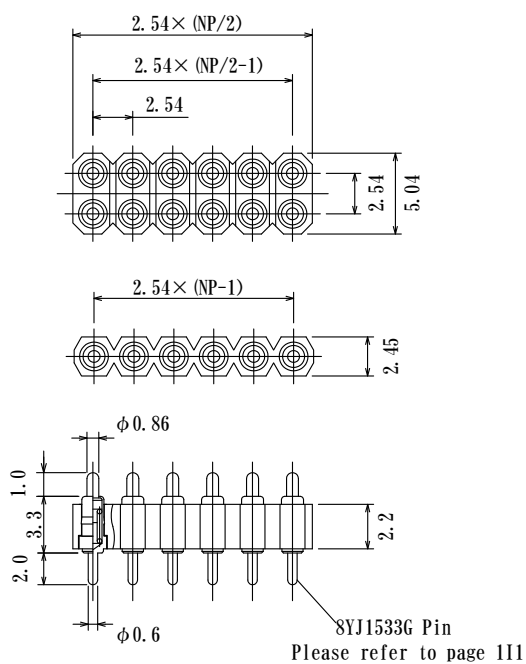


How to order

8YTJ1533G-□□ S

No of positions

S : シングルインライン
T=2.8
D : デュアルインライン
T=2.2



How to order

8YTJ1566ZG-□□ S

No of positions

S : シングルインライン
T=2.8
D : デュアルインライン
T=2.2

