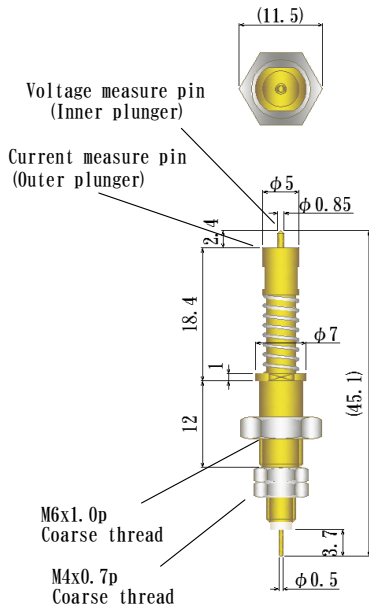
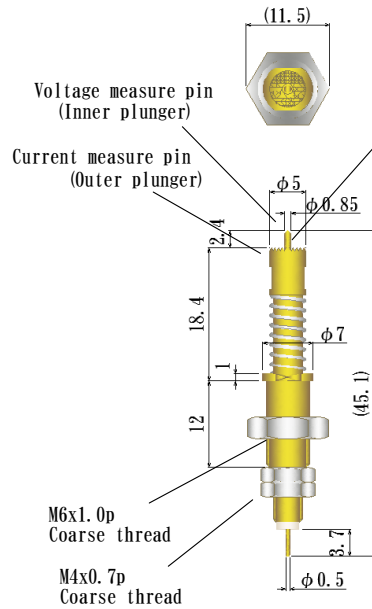


## High Current Kelvin Probe with Mono Plunger $\phi 5$ , length 45.1mm 81K series



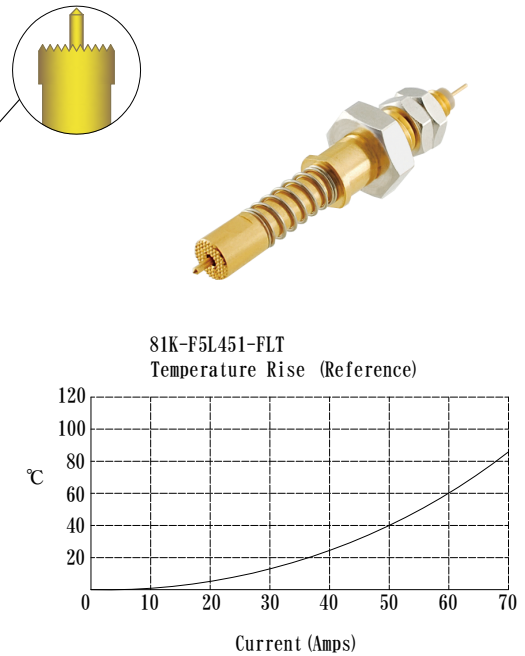
**81K-F5L451-FLT**

Plunger head style : Flat



**81K-F5L451-CRN**

Plunger head style : Multi point crown



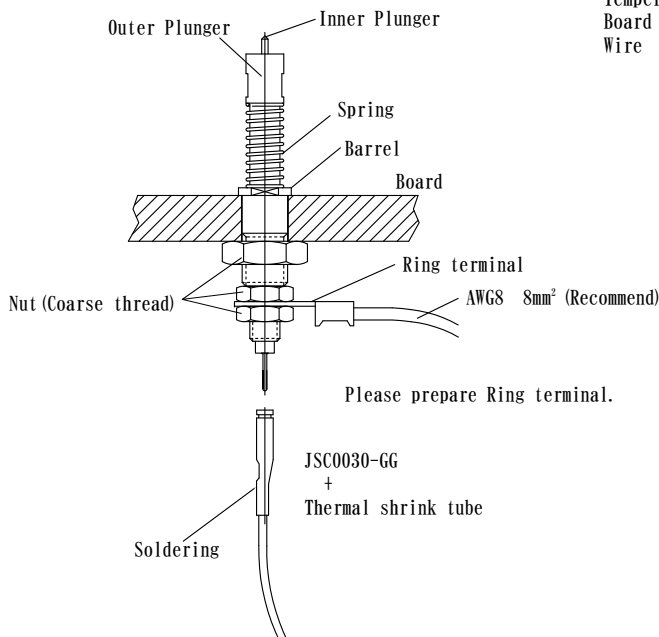
Parts	Material	Finish
Inner Plunger	SK	Gold over Ni plated
Outer Plunger	Copper Alloy	Gold over Ni plated
Spring	SUS	-
Barrel	Brass	Gold over Ni plated
Nut	Brass	Ni plated

### Spring specification

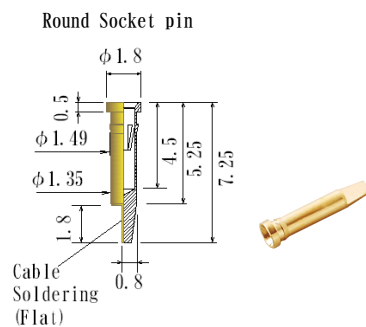
	Preload [N]	Specified		Full travel [mm]
		load [N]	travel [mm]	
Outer plunger	2.0	4.8	5	6.5
Inner plunger	0.1	0.6	2.4	-

Call us for your custom specification.

### How to assemble to board (example)

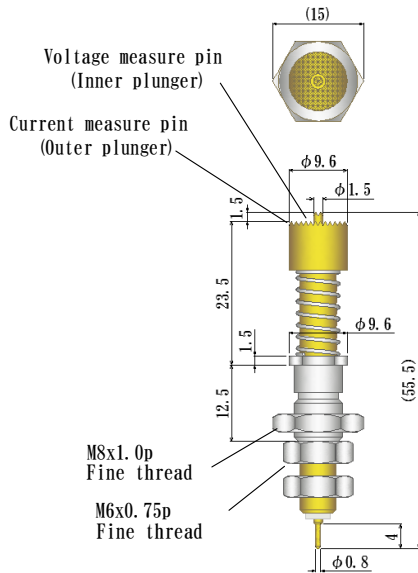


Durability 50,000 cycles  
Temperature range -40°C ~ +100°C  
Board thickness 6 ~ 8mm  
Wire AWG8 8mm² (Recommend)

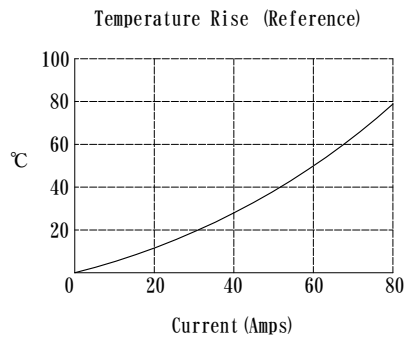


**JSC0030-GG**

**High Current Multi Contact  
Kelvin Probe with Mono Plunger  $\phi 9.6$  , length 55.5mm  
81K series**



**81K-F10L55-CRN**



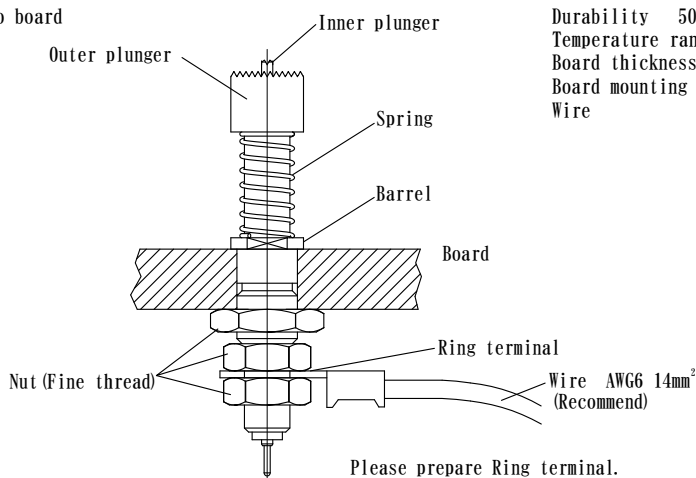
Parts	Material	Finish
Inner Plunger	SK	Gold over Ni plated
Outer Plunger	Copper Alloy	Gold over Ni plated
Spring	SUS	
Barrel	SUS	
Nut	Brass	Ni plated

Spring specification.

	Specified		Full travel [mm]
	load [N]	travel [mm]	
Outer plunger	5.1	4.5	8
Inner plunger	1.6	1.5	-

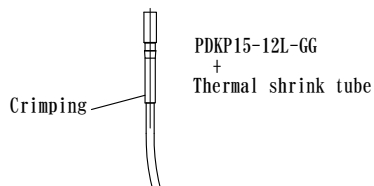
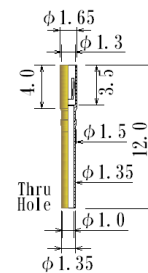
Call us for your custom specification.

How to assemble to board  
(example)



Durability 50,000 cycles  
Temperature range -40°C ~ +100°C  
Board thickness 6~8mm  
Board mounting hole  $\phi 8.2$  (Reference)  
Wire AWG6 14mm<sup>2</sup> (Recommend)

Round Socket pin



**PDKP15-12L-GG**