

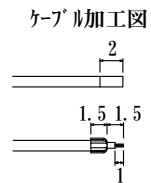
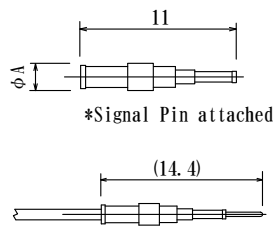
NCS Connectors

Small outer dia. cable is hard to handle when you connect it to PC board.
This cable assembly has a plug and it is easy to mate/unmate with PC board.

Specifications	
Impedance	Non Constant
Voltage Rating	AC 100V
Withstanding Voltage	AC 300V one minute
Insulation Resistance	500MΩ min

Plugs

NCS-P130 *
NCS-P165



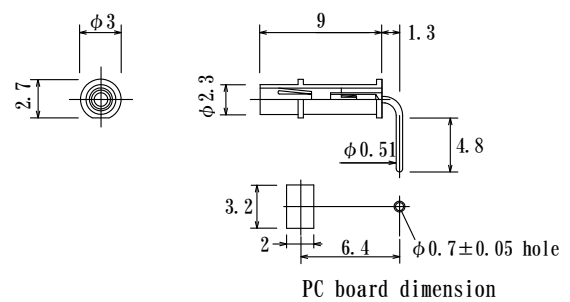
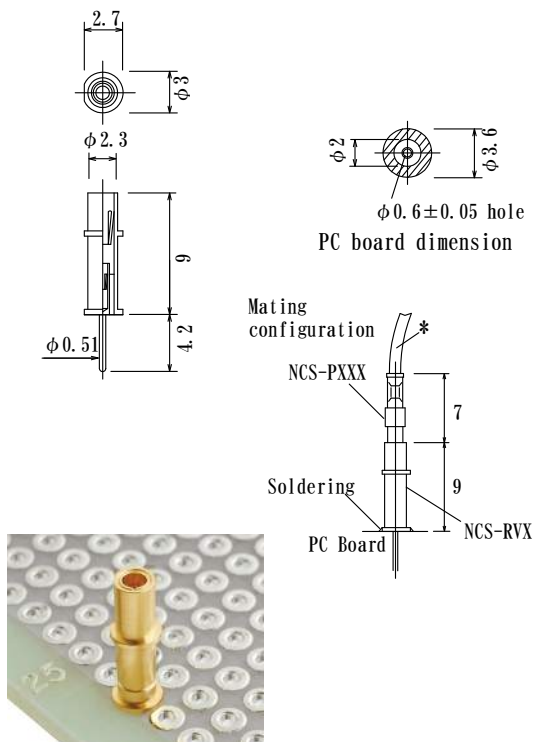
Part No.	φA	B	Applicable Cable (Note)
NCS-P130	2.0	2.0	Outer dia. 0.9mm cable
NCS-P165	2.1	1.0	Outer dia. 1.2mm cable (Junkosha Inc : P/N DFS020)

(Note) Send your Cable sample in advance for confirmation of Crimping.

Receptacles

Part No.	mating force	*How to withdraw
NCS-RVY	Soft	Don't withdraw a plug without grabbing the plug body.
NCS-RVK	Strong	

Part No.	mating force	*How to withdraw
NCS-RHY	Soft	Don't withdraw a plug without grabbing the plug body.
NCS-RHX	Strong	



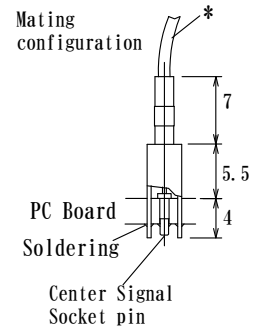
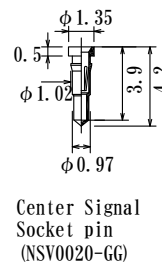
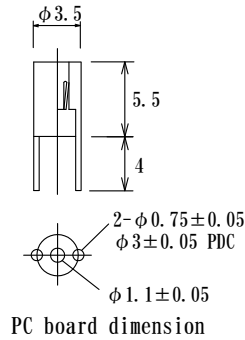
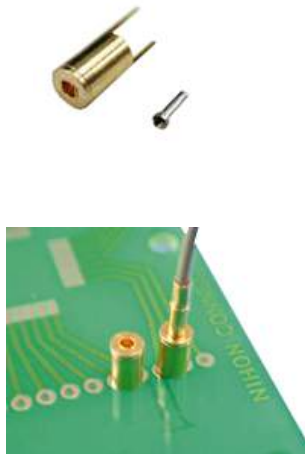
* mark product is made only upon order.

NCS Connectors

Receptacles with discrete Socket pin attached

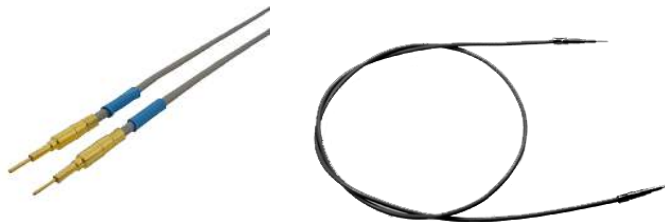
NCS-BR3Y
NCS-BR3K

Part No.	mating force	*How to withdraw
NCS-BR3Y	Soft	Don't withdraw a plug without grabbing the plug body.
NCS-BR3K	Strong	



Cable assembly

It is easier for you to order Cable assembly.
Please specify the length and connectors.



How to order

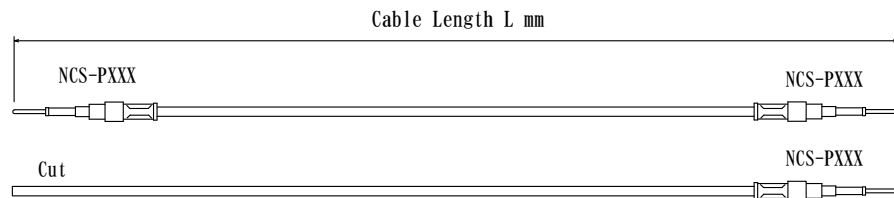
NCSA-P165XP165-LXXX

Choice of Connectors
P130
P165

Cable Length mm

NCSA-P165XP165-L150

NCSA-P165-L300



TOOL-MPW87-NCS



TOOL-MPW87-2 (M22520/10-01)



* mark product is made only upon order.