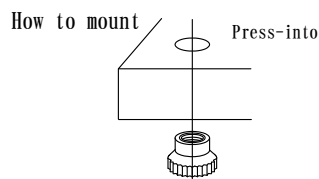
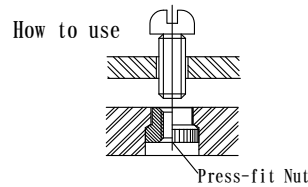
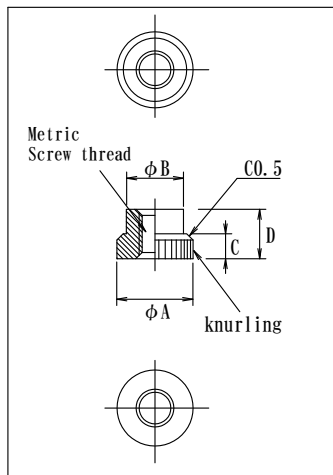


## Press-fit Nut for board

○Press-into Board Nut, with high fixed torque



P/N	Material	φA	φB	C	D	Metal Screw thread	PC board hole dia.	Tightening torque
<a href="#">BFS-M1. 2-2. 2-AMC</a>	SUS	2.5	1.8	1.3	2.2	M1. 2x0. 25P	Fig. 1	-
<a href="#">BFS-M1. 6-2. 8-AMC</a>		3.0	2.4	1.7	2.8	M1. 6x0. 35P	Fig. 2	
<a href="#">BFS-M2. 5-3. 6-AMC</a>		4.5	3.5	2.6	3.6	M2. 5x0. 45P	Fig. 3	
<a href="#">BFS-M2. 0-T28-33</a>		3.55	3.15	1.55	2.8		Fig. 5	
<a href="#">BFB-M2-CL44-AMC</a>	Brass	4.0	3.0	2.7	3.5	M2x0. 4P	-	3kgf cm max (in case of Epoxy laminate board/UL approved)
<a href="#">BFS-M2-CL66-AMC</a>	SUS	6.0	4.5	3.0	6.0	M3x0. 5P	Fig. 4	
<a href="#">BFS-M3-CL64-AMC</a>				2.0	4.0			
<a href="#">BFS-M3-CL66-AMC</a>				3.0	6.0			
<a href="#">BFS-M3-CL68-AMC</a>				4.0	8.0			
<a href="#">BFS-M2. 6-CL66-AMC</a>				3.0	6.0			
<a href="#">BFS-M2-CL66-AMC</a>					M2x0. 4P			

### Board Hole dimension

<p>Fig. 1 BFS-M1. 2-2. 2-AMC</p>	<p>Fig. 2</p>	<p>Fig. 3</p>
<p>Fig. 4</p>	<p>Fig. 5</p>	