

Laser Diode Socket

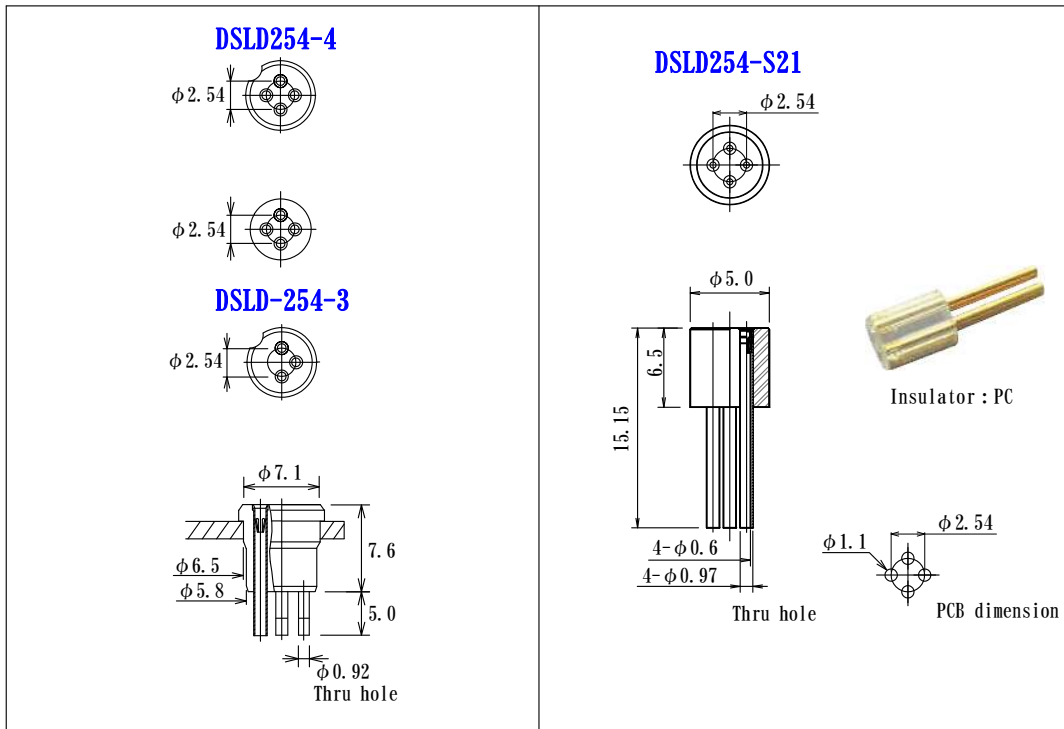
Round Socket pin type

Specifications (Typical example)
 Dielectric Strength: AC500V RMS 1min
 Insulation Resistance: 500M Ω min
 Contact Resistance: 15m Ω max
 Current rating : 1.0 A
 Operating Temperature: -55 $^{\circ}$ C ~ +150 $^{\circ}$ C
 (In case of Gold plating Contact)

Material
 Sleeve : Brass, Tin plating over Ni
 Contact : Beryllium, Gold plating over Ni
 Insulator: Teflon PC etc

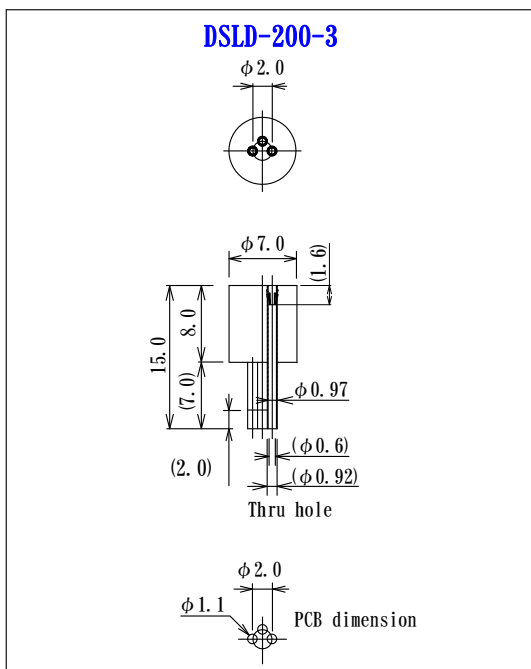
2.54mm pitch circle

Acceptable lead dia. ϕ 0.45/0.0177"



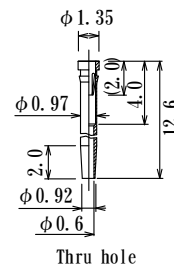
2.0mm pitch circle

Acceptable lead dia. ϕ 0.45/0.0177"

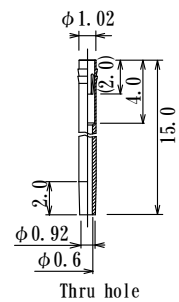


(example)

NSP126-GG



NZP10-GG



Custom order Cable