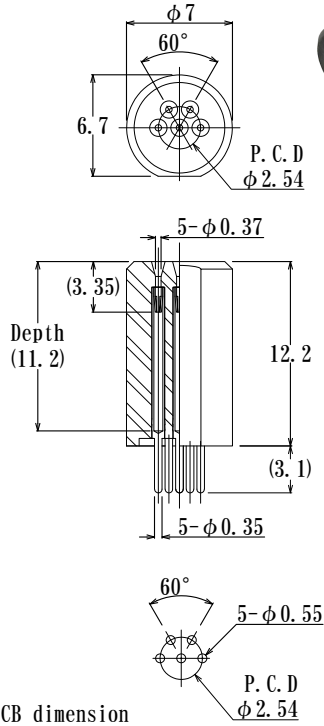


Laser Diode Socket

2.54mm pitch circle
2.50mm pitch circle

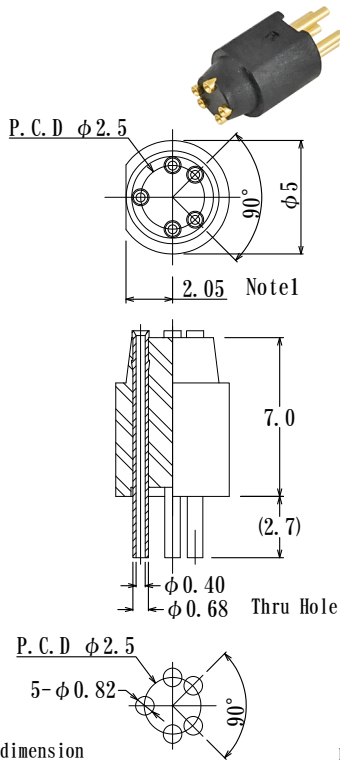
Acceptable lead dia. $\phi 0.35 \sim 0.25 / \phi 0.0138'' \sim 0.0099''$

5pin
LD254P-5P-F7L153



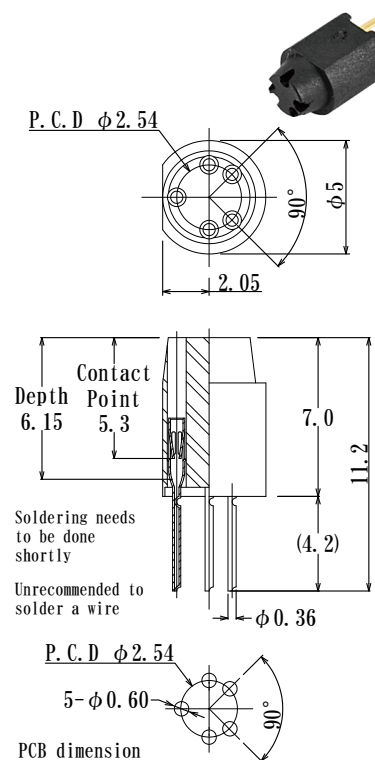
(NV6RP136-GG)

5pin
LD250P-5P-F5L5-TH



Note1:
Curled and Longer lead are preferable
for better contact.

5pin
LD254P-5P-F5L5-JD



Soldering needs
to be done
shortly

Unrecommended to
solder a wire