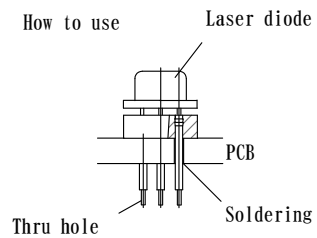


## Laser Diode Socket / Various Diode Socket

### Round Socket pin type

- High reliability round contact providing good electrical and mechanical performance.
- Useful for both PCB mount socket and Testing evaluation.
- Please feel free to contact us about other than the following socket pins.

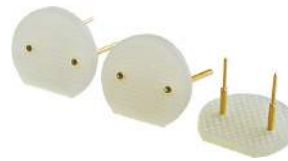


### Specifications

Dielectric Strength: AC500Vrms 1min  
Insulation Resistance: 500MΩmin  
Contact Resistance: 15mΩ max  
Current rating : 1.0A  
Operating Temperature: -45°C~+150°C

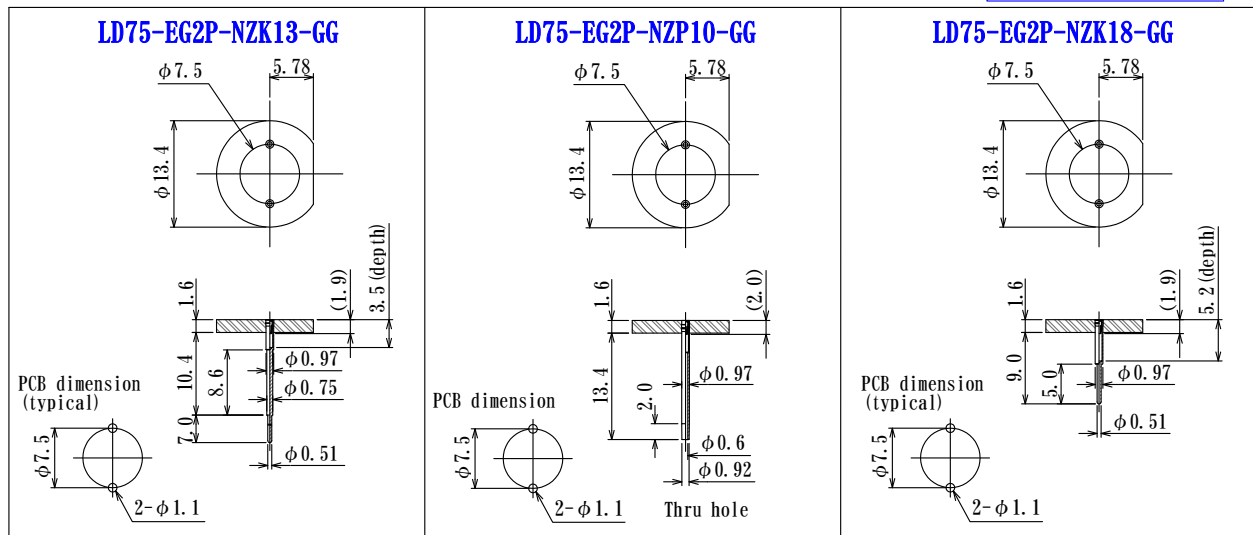
### Material

Sleeve : Brass, Gold plating over Ni  
Contact : Beryllium, Gold plating over Ni  
Insulator:Glass epoxy



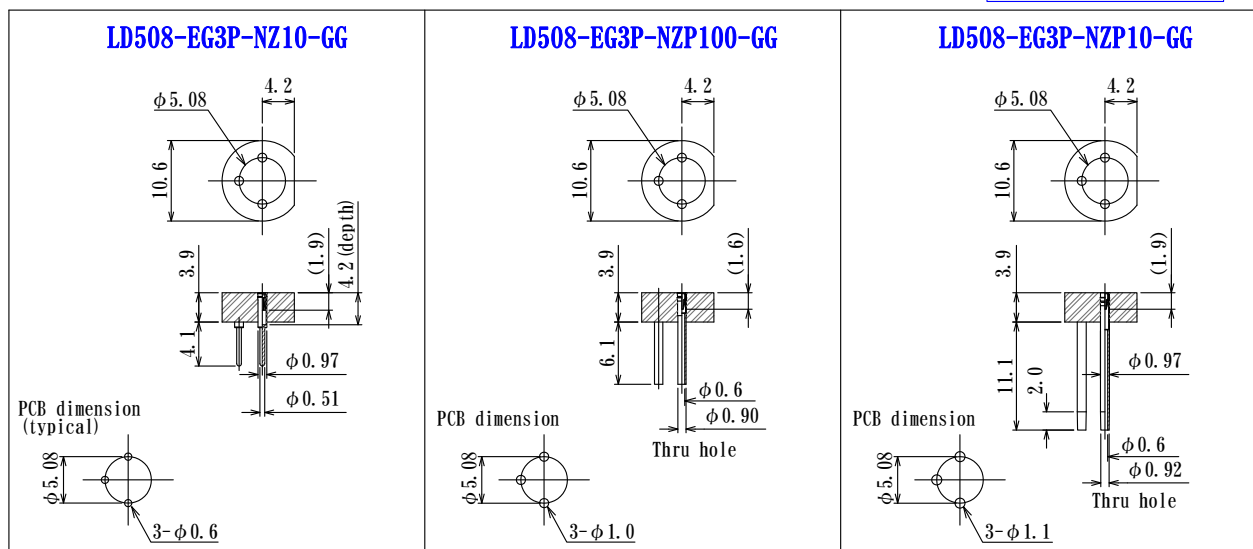
Acceptable lead dia.  $\phi 0.45/0.0177''$  typical

7.5mm pitch circle



Acceptable lead dia.  $\phi 0.45/0.0177''$  typical

5.08mm pitch circle



## Laser Diode Socket

### Round Socket pin type

#### Specifications (Typical example)

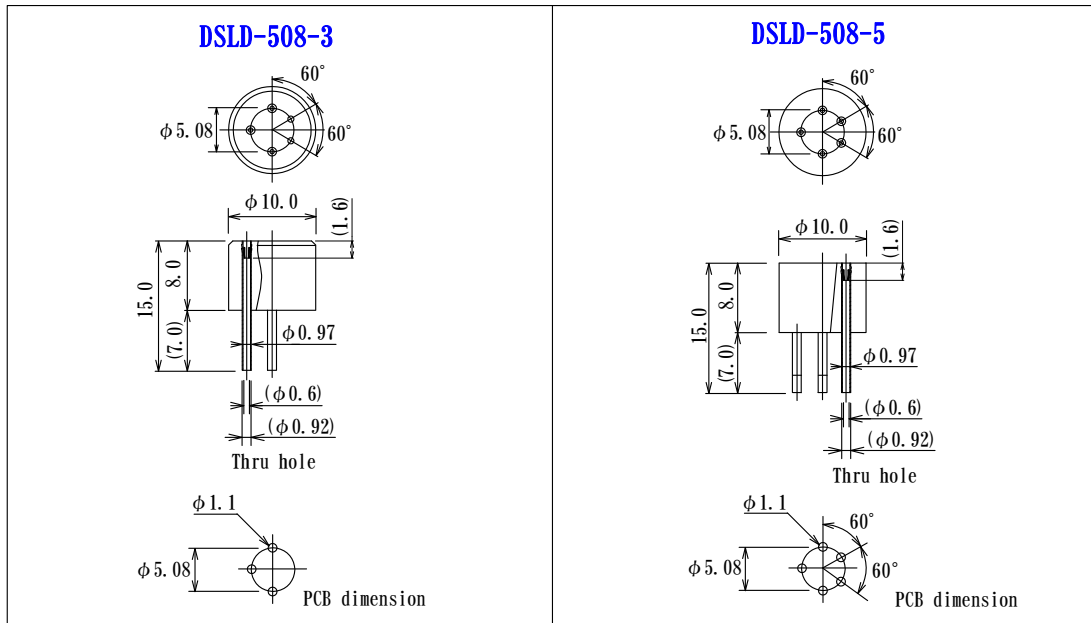
Dielectric Strength: AC500V RMS 1min  
Insulation Resistance: 500MΩmin  
Contact Resistance: 15mΩ max  
Current rating : 1.0 A  
Operating Temperature: -55°C~+150°C  
(In case of Gold plating Contact)

#### Material

Sleeve : Brass, Tin plating over Ni  
Contact : Beryllium, Gold plating over Ni  
Insulator: Teflon etc

#### 5.08mm pitch circle

Acceptable lead dia.  $\phi 0.45/0.0177''$



#### 4.5mm pitch circle

Acceptable lead dia.  $\phi 0.45/0.0177''$

