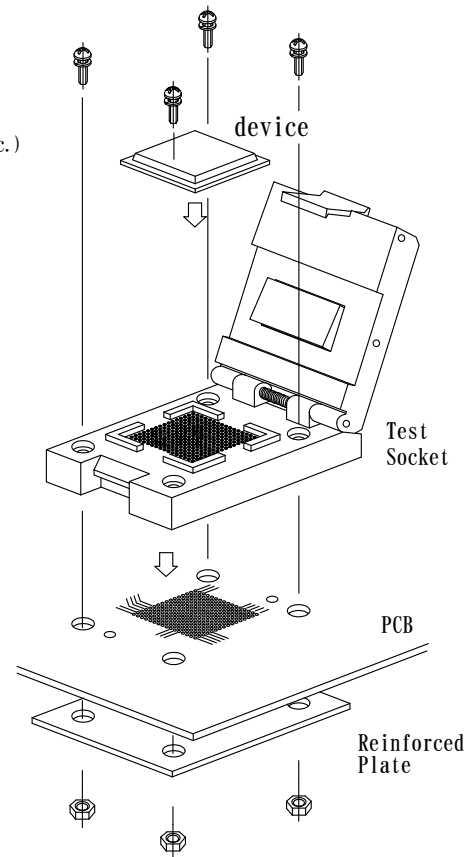


Test & Burn-In Socket Standard Frame, GU series

Features

- Available for verifying device and circuit using mass.pro use PCB.
- Uses high reliable ended probe pin or single ended probe pin(depends on spec.)
- Device can be exchanged when required.
- Offers from one piece to mass production quantity.
- Continuous use temperature 150 ℃ available.
(It depends on use components. Please call us.)
- Correspondence to improvement in the high-speed using short probe.
- Pursue in economical efficiency using standard components.
- In case of using double ended probes, it is detachable removing from PCB.



A design requires the following information.

- Device's dimension tolerance
- Device's seating height and other restrictions
- PCB space's restriction
- Shape through the sensor
- durability
- Temperature (burn-in test), Humidity
- Signal Frequency
- etc.

Materials: example

- Base Insulator : High temp plastics or PEI
- Lid : High temp plastics or PEI
- Latch : High temp plastics
- Shaft : SUS
- Screw: SUS
- Guide pin : SUS
- (Torsion) Coil spring : SUS

※ Nonmagnetic type available.