

## HV Connectors, Coaxial High Voltage

DC 20KV or DC 10A

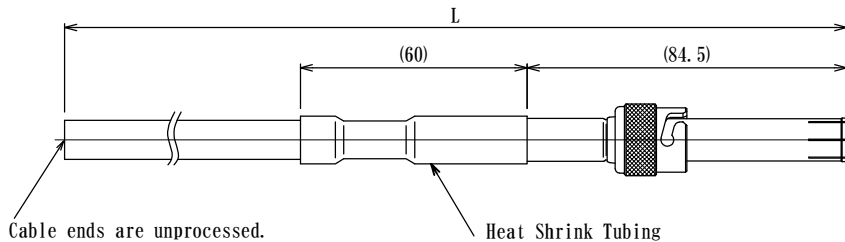
HV Connectors are high-voltage coaxial connectors that can be easily attached and detached with a bayonet lock mechanism.

Current Rating	DC 10A	
Dielectric Strength	DC 20KV 1 minute at sea level	
Insulation Resistance	DC 1000V 100MΩ min	
Temperature Range	-15°C ~ +60°C	
Contact Durability	10,000 cycles	
Material	Shell	Stainless Steel
	Coupling Nut	Stainless Steel
	Contact	Copper Alloy, Au Plating
	Insulator	PTFE

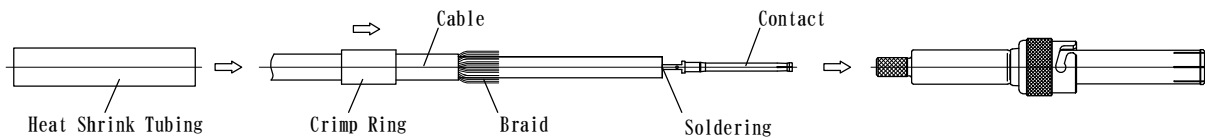
### Plug (With cable type)

WA-HVP20KV-RG8-L□□□□

L: (mm)

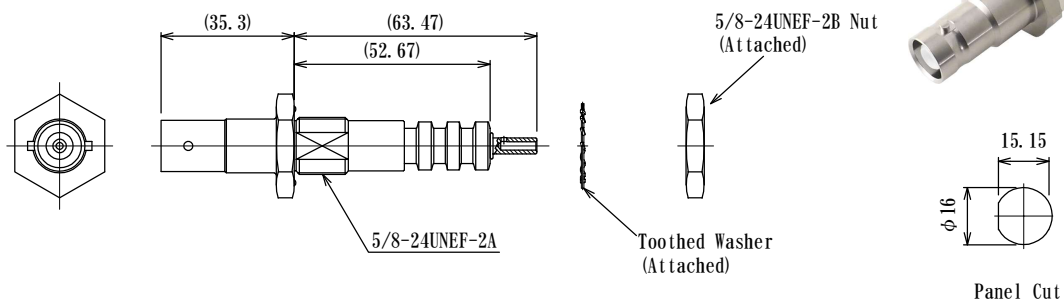


Applicable Cable : RG-8/U



### Jack

HVR20KV-RG8



### Interface Configuration

