

2 Pole Connector with locking feature

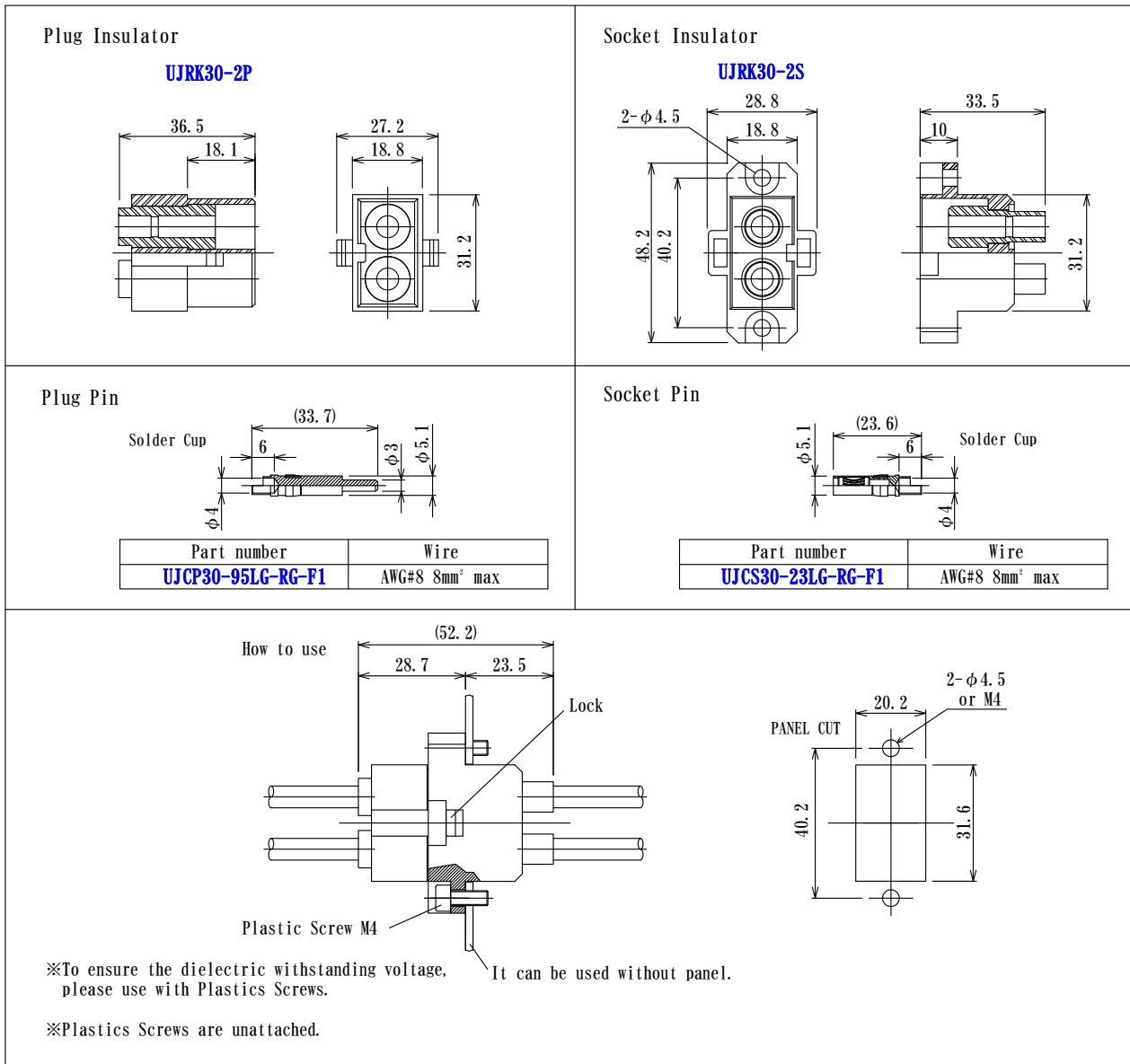
DC 5KV or DC 30A

Specification

Current rating: DC 30A at 25°C
(In the case of Low Voltage)
Dielectric Strength: DC 5KV 1 minute at 25°C
(In the case of Low Current)
Insulation Resistance: DC1000V 100MΩ min
Contact Resistance: 3mΩ max
Temperature range: -10°C~+80°C

Material

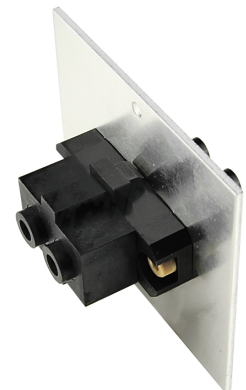
Insulator: PBT, glass filled, Black
Plug pin: Brass, Phosphor bronze, Gold plating over Ni
Socket pin
Louver: Beryllium Copper, Heat treated
Gold Plating over Ni plating
Sleeve: Brass, Gold Plating over Ni plating



How to order (example)

UJRK30-2P	50pcs
UJCP30-95LG-RG-F1	100pcs
UJRK30-2S	50pcs
UJCS30-23LG-RG-F1	100pcs

- Both pins (socket and plug) are removal with pin removal tool.
- Please consult factory about tools.



We welcome your custom design products.

2 Pole Connector with locking feature

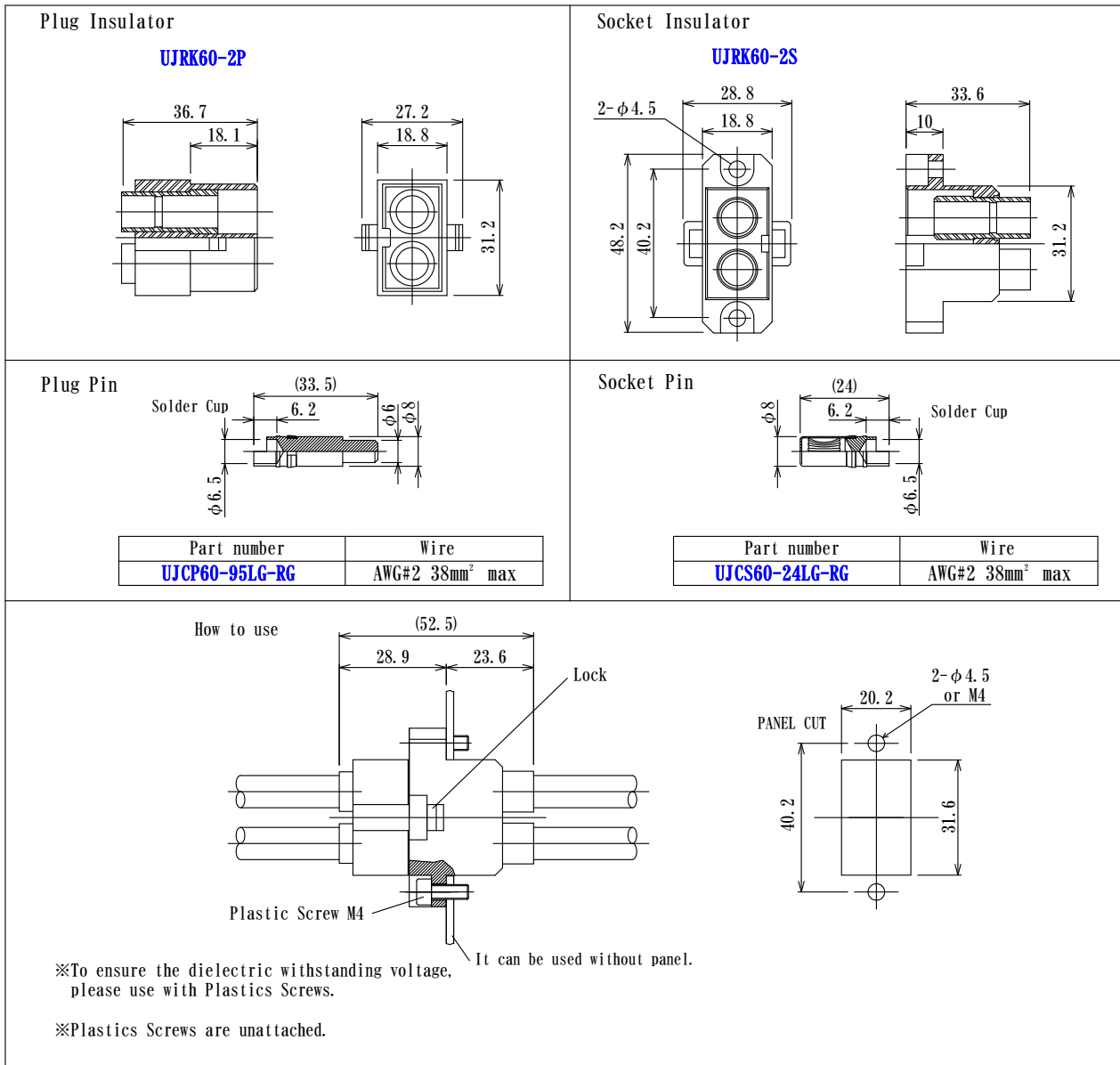
DC 5KV or DC 60A

Specification

Current rating : DC 60A at 25°C
(In the case of Low Voltage)
Dielectric Strength : DC 5KV 1 minute at 25°C
(In the case of Low Current)
Insulation Resistance : DC1000V 100MΩ min
Contact Resistance : 3mΩ max
Temperature range : -10°C~+80°C

Material

Insulator: PBT, glass filled, Black
Plug pin: Brass, Phosphor bronze, Gold plating over Ni
Socket pin
Louver: Beryllium Copper, Heat treated
Gold Plating over Ni plating
Sleeve: Brass, Gold Plating over Ni plating



How to order (example)

UJRK60-2P 50pcs
UJCP60-95LG-RG 100pcs
UJRK60-2S 50pcs
UJCS60-24LG-RG 100pcs

- Both pins (socket and plug) are removal with pin removal tool.
- Please consult factory about tools.



We welcome your custom design products.

2 Pole 3A Connector with locking feature

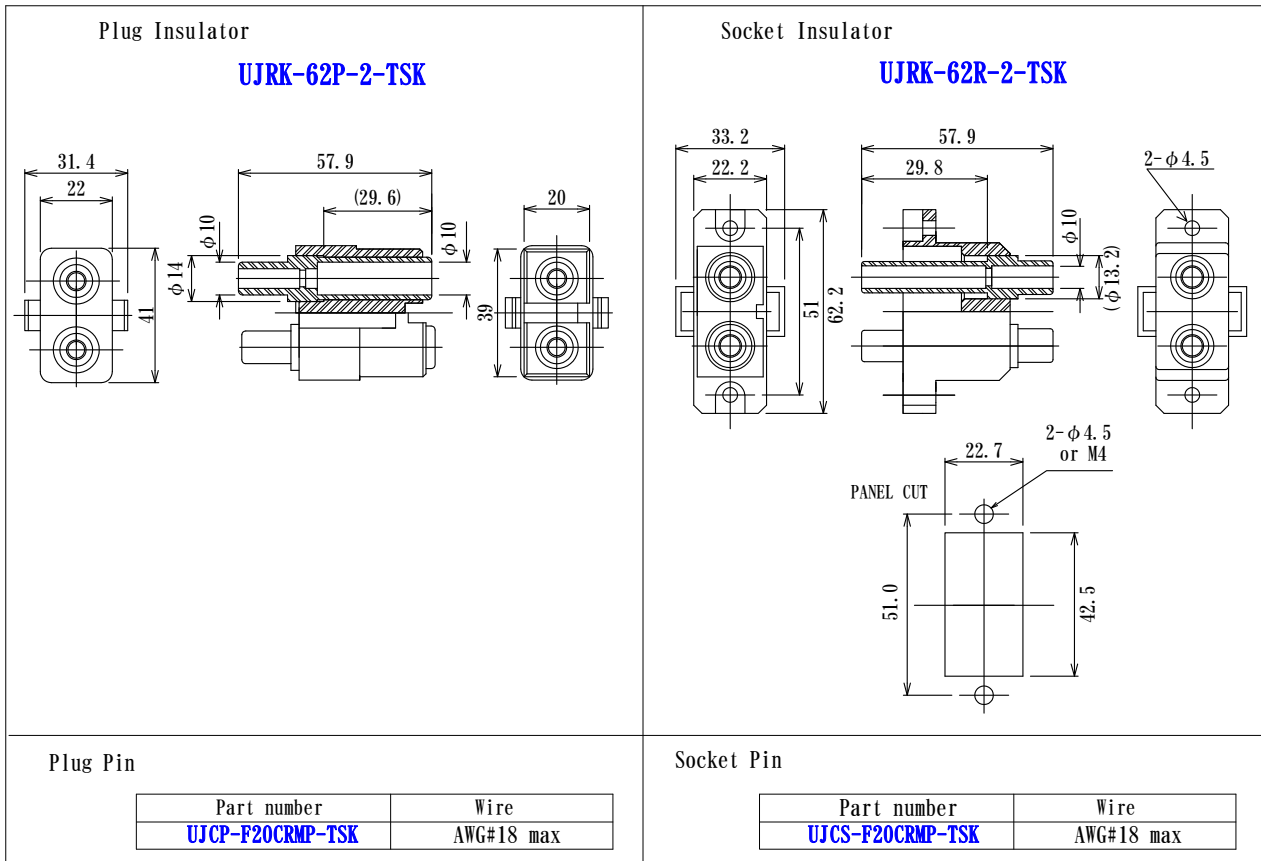
DC30KV

Specification

Current rating: 3A
Dielectric Strength: DC 30KV 1 minute
Insulation Resistance: DC1000V 100MΩ min
Contact Resistance: 3mΩ max
Temperature range: -10°C~+80°C

Material

Insulator: PBT, glass filled, Black
Plug pin: Brass, Phosphor bronze, Gold plating over Ni
Socket pin
Louver: Beryllium Copper, Heat treated
Gold Plated over Ni plating
Sleeve: Brass, Gold Plating over Ni plating



How to order (example)

UJRK62-2-TSK	10pcs
UJCP-F20CRMP-TSK	20pcs
UJRK62-2-TSK	10pcs
UJCS-F20CRMP-TSK	20pcs

- Crimping Tool is needed.
- Both pins(socket and plug) are removal with pin removal tool.
- Please consult factory about tools.

