

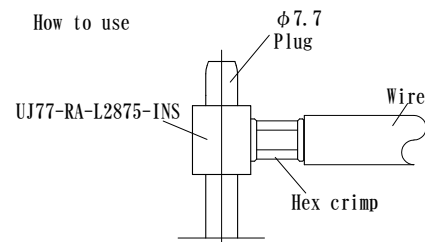
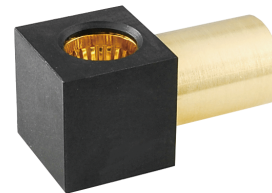
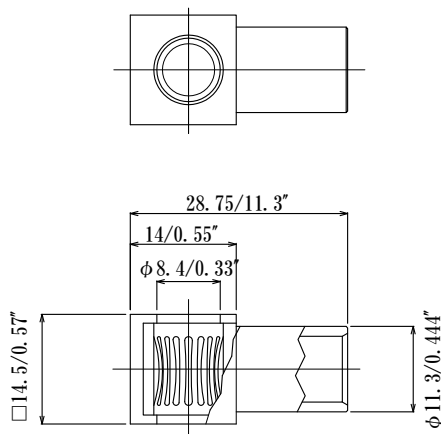
Right Angle type, High current Socket with Insulator

80A

- Socket pin right angle to wire
- Space saving
- Mating/unmating, Circuit exchange

UJ77-RA-L2875-INS

Acceptable plugpin
: $\phi 7.7\text{mm}/\phi 0.303\text{''}$ dia.
Current rating : DC80A at 25°C



Materials

Socket pin

Louver: Beryllium Copper, Heat treated

Gold Plated over Nickel plating

Sleeve: Brass, Gold Plating over Nickel plating

Insulator: PBT glass filled or PPS, black, UL94V-0