

Power Transistor Test Sockets (for T0-220, T0-3P)

High current type
High voltage type



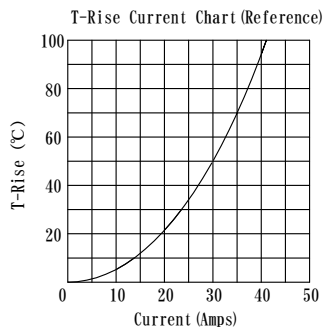
Specifications

Mating Durability : 10,000 cycles (note*)
 Contact Resistance : 20 mΩ max
 Insulation Resistance : 500 MΩ min
 Withstanding Voltage : DC2000V 1 minute at 25°C (DC5000V Max),
 AC1500Vrms 1 minute at 25°C
 Temperature Range : -55°C ~ +150°C

note* : Using a Standard Test Lead of ours

Materials

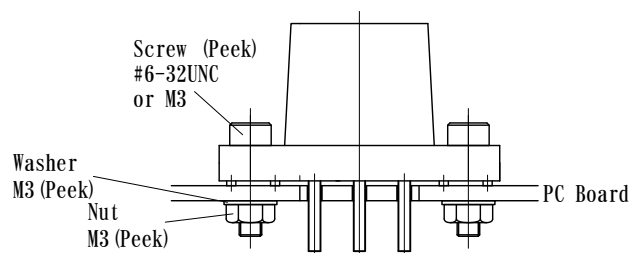
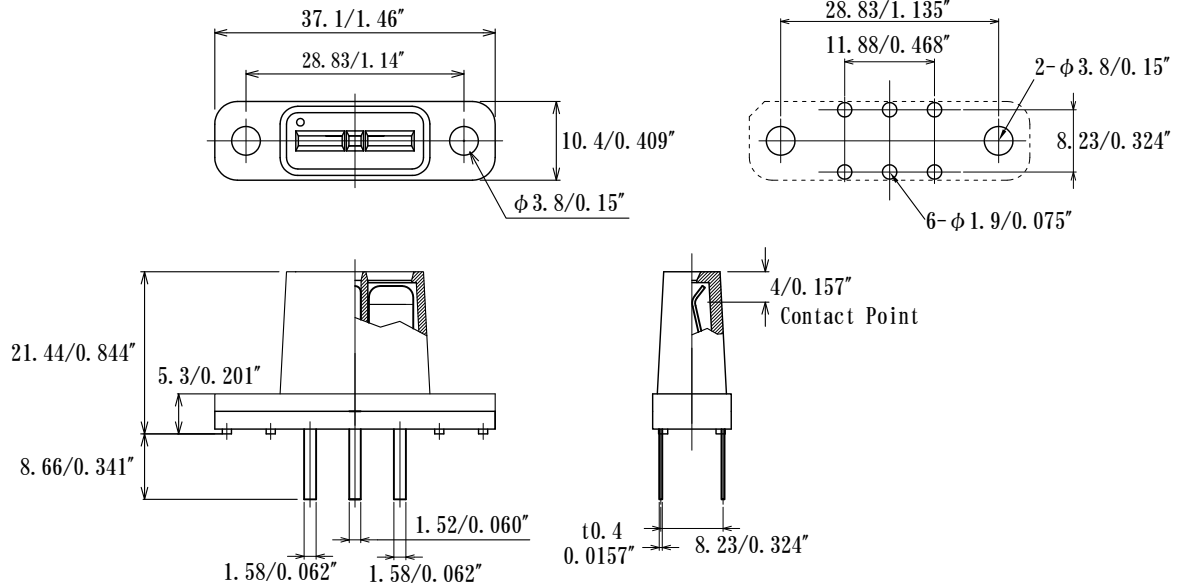
Body : PPS Black
 Contact : Copper Alloy Au plating over Ni plating



- Suitable for packages including T0-220, T0-3P, T0-66, T0-247, T0-254, T0-262, T0-264. (Some package might not be usable. Please call us)

T3P-L214-ST-BK

PC Board layout



Power Transistor Test Sockets for T0-220, T0-3P

High temperature type
High voltage type



Materials

Body : See Below

Contact : Stainless Steel Au plating over Ni plating

Specifications

Mating Durability : 10,000 cycles (note*)

Contact Resistance : 50 mΩ max

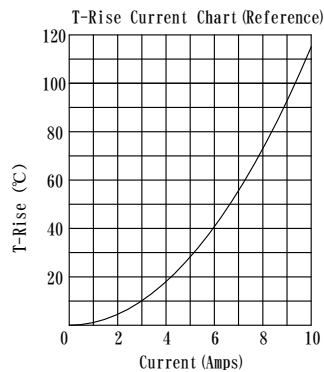
Insulation Resistance : 500 MΩ min

Withstanding Voltage : DC2000V 1 minute at 25°C (DC5000V Max),
AC1500Vrms 1 minute at 25°C

Temperature Range : -55°C ~ +220°C

note* : Using a Standard Test Lead of ours

- Suitable for packages including T0-220, T0-3P, T0-66, T0-247, T0-254, T0-262, T0-264. (Some package might not be usable. Please call us)



P/N	Insulator Material
T3P-L214-ST-HT	PPS Black
T3P-L214-ST-HT-P	PEEK

T3P-L214-ST-HT T3P-L214-ST-HT-P

