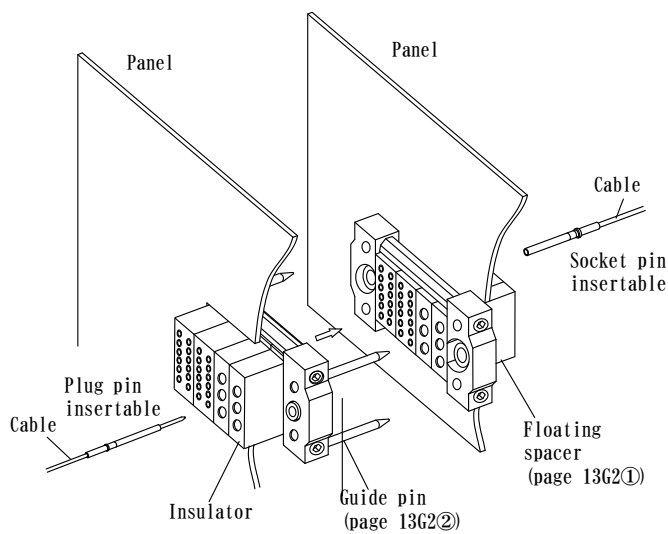


High Current Module Connectors UJCA Series

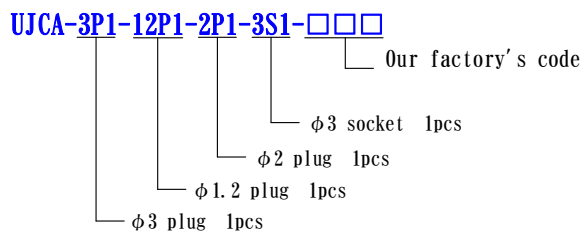
- Various combination selectable based on your requirements.
- Standard parts (insulators, pins) available for your choice.
- To ensure connection between socket and plug, floating spacers and guide pins are attached.



How to order

Please call our sales when your specification is almost fixed.

example)



We deliver followings separately.

Socket pins and Plug pins (discrete)

Insulator assembly including housing

Your total cabling assembly order is also welcome.

Specifications

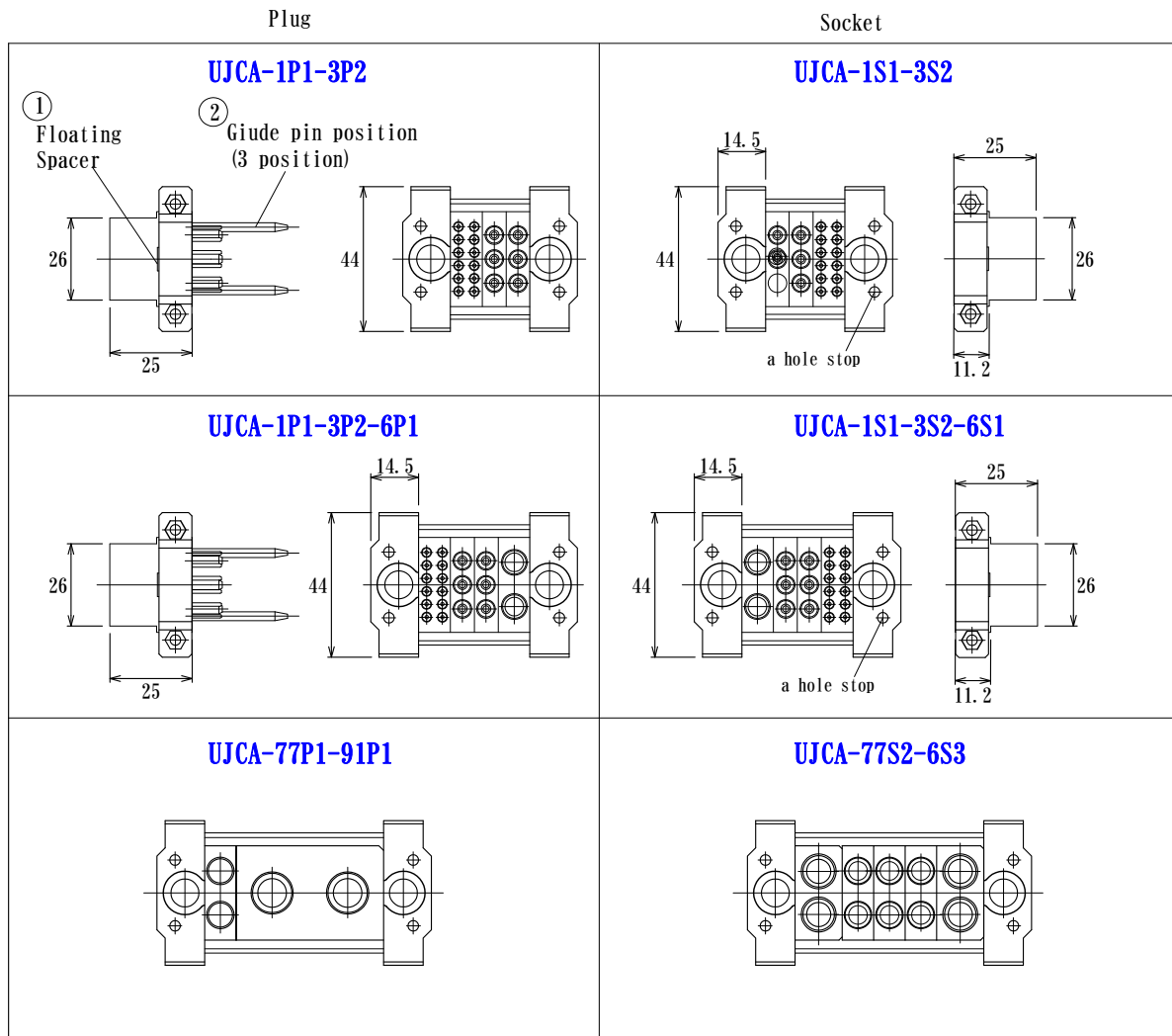
Contact resistance: 7mΩ max

Insulation Resistance: 1000MΩ min

Temperature range: -55°C ~ 150°C

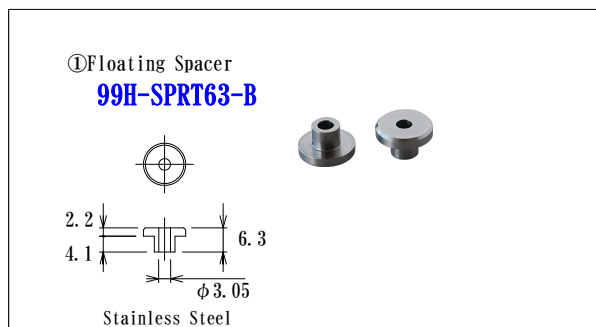
High Current Module Connectors UJCA Series

Example of combination



Specifications subject to change without notice.

Accessories



Option

