

## 2 Pole Connector with locking feature

- Easy to mate/unmate
- Safety locking

60A

Current rating : 60A  
 Insulation Resistance : DC500V 1000MΩ min  
 Dielectric Strength : AC1500V 1min  
 Temperature Range : -55°C~+125°C

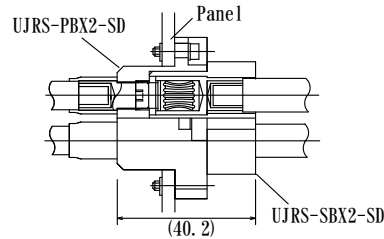


### How to order

**UJRS-□BX2-SD-□□**

P : Plug      Terminal Type  
 S : Socket    blank: Solder Cup  
                  CR : Crimp

### How to use



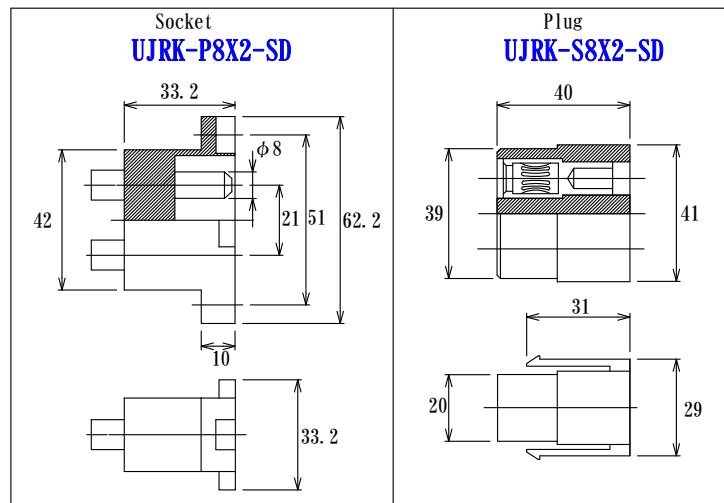
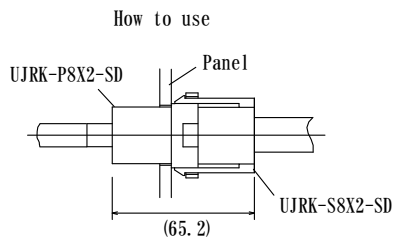
<p>Socket <b>UJRS-SBX2-SD</b></p> <p>Please consult us about tool.</p>		<p>Plug <b>UJRS-PBX2-SD</b></p>	
Pin type	Socket pin <b>UJCS80-SL275G-SD</b>	Plug pin <b>UJCP80-SL320G-SD</b>	
Soldering Gold plating			
Pin type	Socket pin <b>UJCS80-SL295-F450-SD-CR</b>	Plug pin <b>UJCP80-SL340G-F450-SD-CR</b>	
Crimping Gold plating			
<p>Wire</p> <p><b>UE/SSX83 LF</b> AWG#8 8mm<sup>2</sup></p>		<p>○Please consult us about Crimping Tool.                  ○Total assembly including crimping wire is also welcome.</p>	

## 2 Pole Connector with locking feature

- Easy to mate/unmate
- Safety locking

60A

Current rating : 60A  
 Insulation Resistance : DC500V 1000M $\Omega$  min  
 Dielectric Strength : AC3000V 1min  
 Temperature Range : -55 $^{\circ}$ C~+125 $^{\circ}$ C



## 4 Pole Connector

Current rating : 67A  
 Operating temperature : -20 $^{\circ}$ C~+100 $^{\circ}$ C  
 Cable : AWG 8

